

Date Issued:

**Expires After 90 Days*



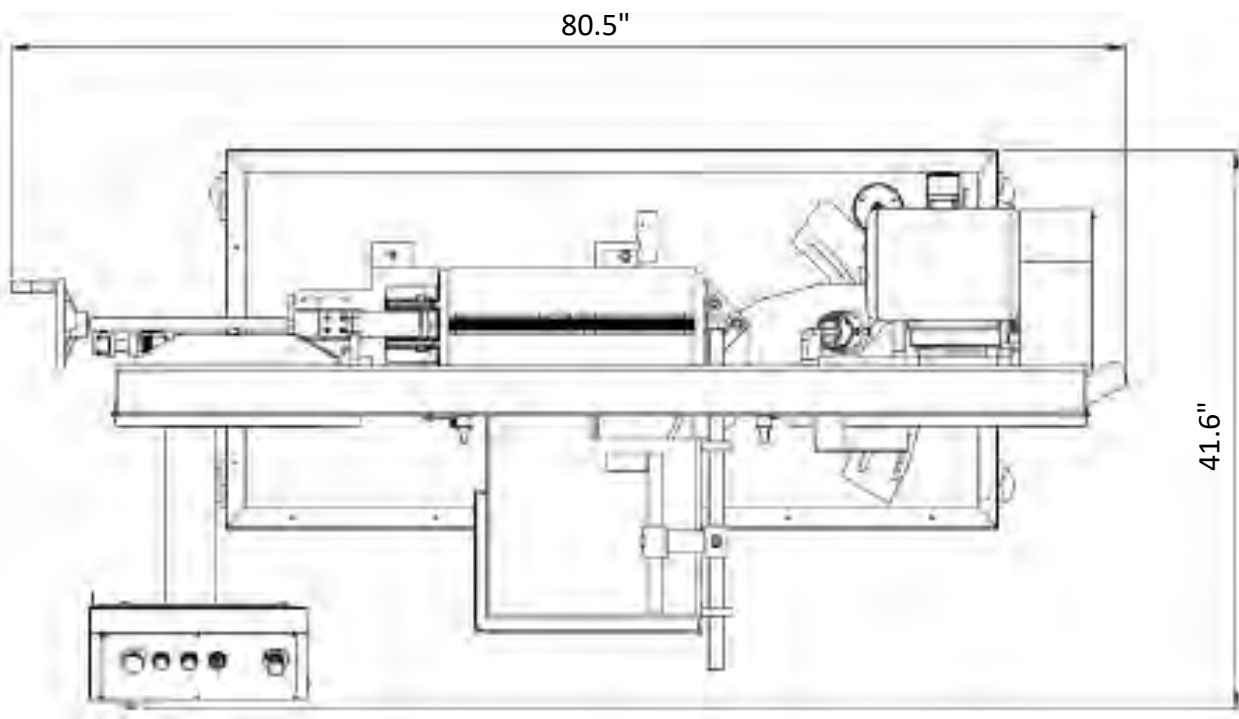
COSEN SH-500M

Semi-Automatic Horizontal Scissor Style Mitering Band Saw

Dealer:
Address:
State:
Zip:
Phone:
Email:

End-User:
Address:
State:
Zip:
Contact Name:

Cosen provides a full range of semi-automatic band saws in a wide variety of cutting capacities. These saws exceed many of the standard requirements that operators look for in a band saw machine. With its rigid construction and superior features, Cosen's SH-500M fits into that category. This heavy duty band saw offers precision, efficiency in operation, lower cost per cut, and durability in a demanding production environment.



Control System:

The operator's control station, swivel-mounted on the movable vise side of the saw, is convenient and user friendly. All operator controls are positioned on the top of the control box and clearly labeled for ease of operation. The electrical components are located inside the control box with the main lockout disconnect on the front of the control box for safety and easy maintenance.

Machine Features:

- Swivel saw head allows miter cutting from 0 degrees to 60 degrees
- Hydraulic cylinder plus precision ground hinge support
- Hardened worm gear for durability
- Hard stops at 90, 45, and 30 degrees for quick angle set up
- Blade drive equipped with variable pulley system
- Adjustable flood coolant system
- Motor driven, synchronized wire blade brush
- Carbide blade guides and bearing provides additional blade support
- Rigid cast-iron guide arms
- Cast-iron hydraulic vise
- Adjustable down-feed control
- Adjustable material stop
- Saw head automatically raises after each cut

Machine Specifications:

| | | |
|---|----------------------------|-------------------------------------|
| Maximum Cutting Capacity | Round (0°, 45°, 60°) | 13", 11.8", 8.6" |
| | Square | 11" x 11" |
| | Rectangular (0°, 45°, 60°) | 11" x 19.7", 11" x 9.4", 11" x 8.6" |
| | Bundle | --- |
| | w/ optional top clamps | --- |
| | Remnant Piece | --- |
| Blade | Variable Speed | 75, 114, 164, 246 FPM |
| | Size | 13' 7" x 1" x .035" |
| Motor | Saw Blade | 3 HP |
| | Hydraulic | 1/2 HP |
| | Coolant | 1/8 HP |
| Auto. Material Feed System <i>(Not Available on Semi-Auto Saws)</i> | Job Storage | NA |
| | Single Index Stroke | NA |
| | Multiple Stroke Indexing | NA |
| Weight | | 1,980 LBS |
| Power | | 230V, 3 PH, 60 Hz |
| | | <i>(460, 3 PH, 60 Hz Option)</i> |
| Floor Space | | 80.5" x 41.6" x 57.8" |
| Work Bed Height | | 32.6" |

**Please note that machine design and specs can change without notice*

Max AMP Draw - 230V: 10.66
460V: 5.33